

Media Number : 000002 – 24J

Issue Date: 8/30/2024

---

## **Model And Serial Number(s):**

ETG 214-318

## **Subject:**

Lift Link Telematics Installation

## **Cause:**

New Lift Link Telematics solution being provided for current model trucks.

---

## **Resolution:**

Providing installation instructions for field install of Lift Link Telematics.

## **WARNING**

- Do not operate a lift truck unless you are qualified and authorized and have read and understand the Operation and Maintenance Manual (OMM) or Operating Instructions (BL).
- Do not perform service or repair on lift trucks unless you are qualified and authorized and have read and understand the Service Manual or Service Handbook (SH) and any applicable safety guidelines prior to working on equipment.
- Improper operation, service, or repair could result in injury or death.
- Make all repairs with the lift truck parked on a level, hard surface. Block the lift truck to prevent rolling while working on, or under, the lift truck. Use a tire cage if tires are to be replaced or worked on.
- Ensure enforcement of company policy for proper LOCKOUT/TAGOUT procedure. (Please refer to HPK article 000019-15 for general guidelines)
- Disconnect battery prior to working on any electrical components or welding.
- Obey all safety guidelines when welding on or near flammable fluids. Always have an approved fire extinguisher on hand.

# Lift Link Telematics Installation

**Logisnext**



# Lift Link Telematics Installation

Logisnext

**Step 1:** Make sure you have all the required components (included in kit part number **W0001-RK085**).



Harness ID System  
51755972



Telematics Harness  
W0001-RK006



Socket Bolt x4  
F121005020

# Lift Link Telematics Installation

**Step 1 cont:**



VAC4 Ram Mount Kit  
69973-KT005



OHG Option Plate  
51559669



Ram Ball Mount  
51385943

# Lift Link Telematics Installation

Logisnext

## Step 1 cont:



Telematics Display  
24058-KT010



Impact Sensor  
26820-KT010

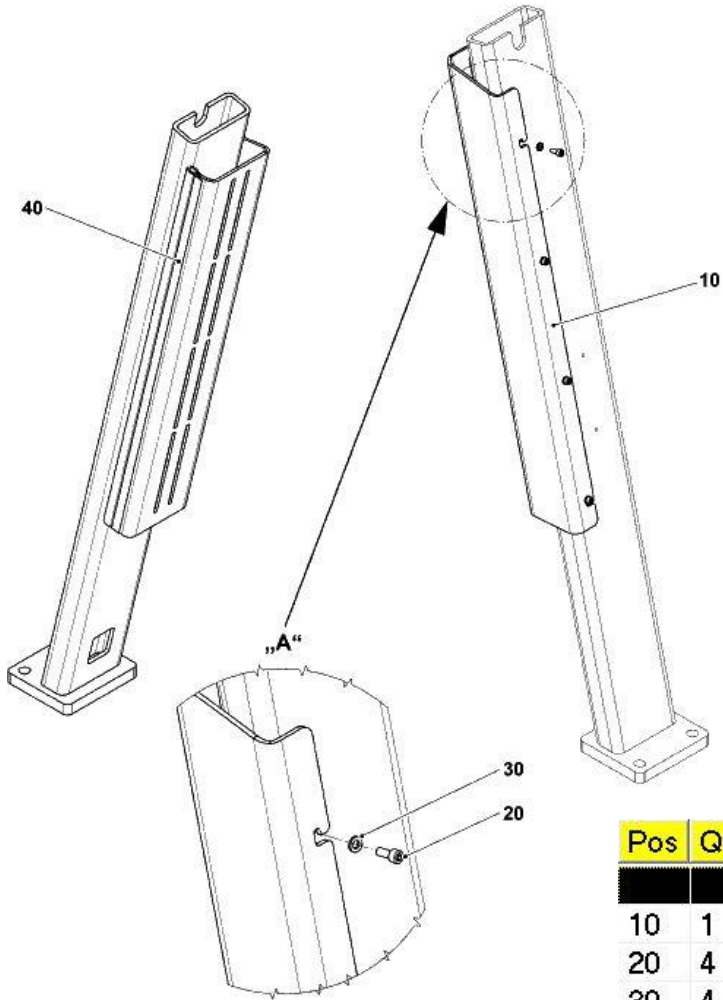
Band Clip x6  
0531800110





# Lift Link Telematics Installation

**Step 1 cont:** If the truck doesn't have an OHG option bracket, it will need one of those as well. **NOTE: The data tags will also need to be moved.**

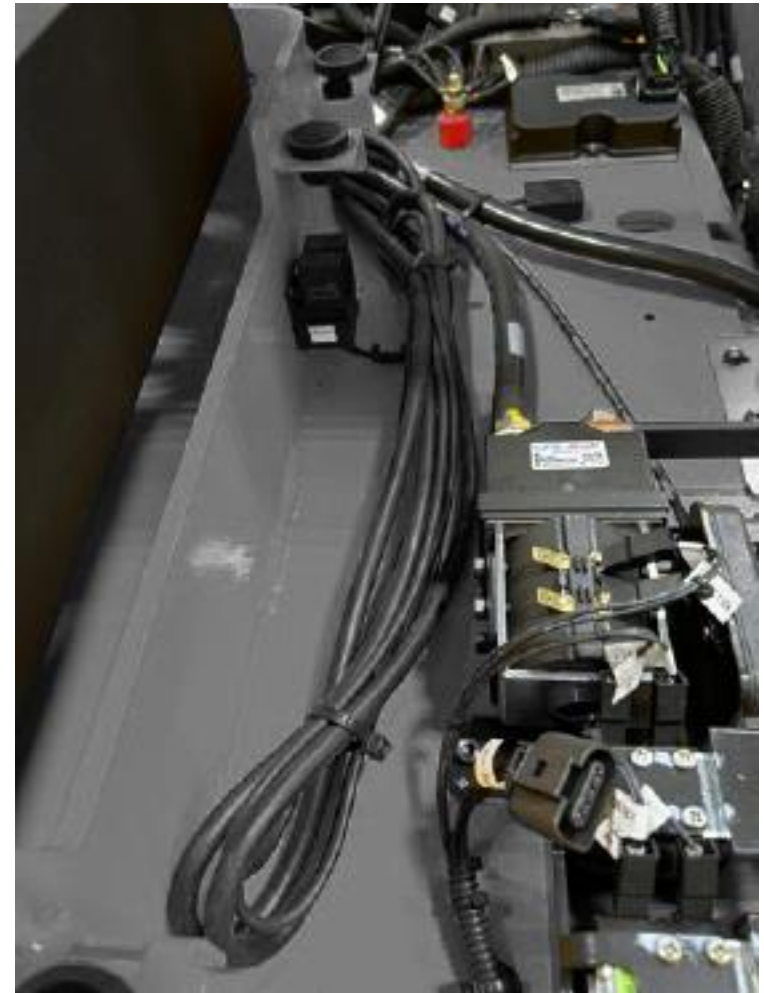


Pos	Qty	Part No.				Name
		<b>Order in single parts</b>				<b>Mounting parts / OHG OPTION BRACKET</b>
10	1	51559651				Bracket / OVERHEAD GUARD JH-GR
20	4 ( 20 )	24202420			☒	Screw / M6X16
30	4	51059067			☒	Washer
40	1	51683047				Profile-Rubber

# Lift Link Telematics Installation

Logisnext

**Step 2:** Remove the front dash cover from the truck by pulling up from the handles.





# Lift Link Telematics Installation

Logisnext

**Step 3:** Pop the plastic insert out of the steering tiller using a small screwdriver.



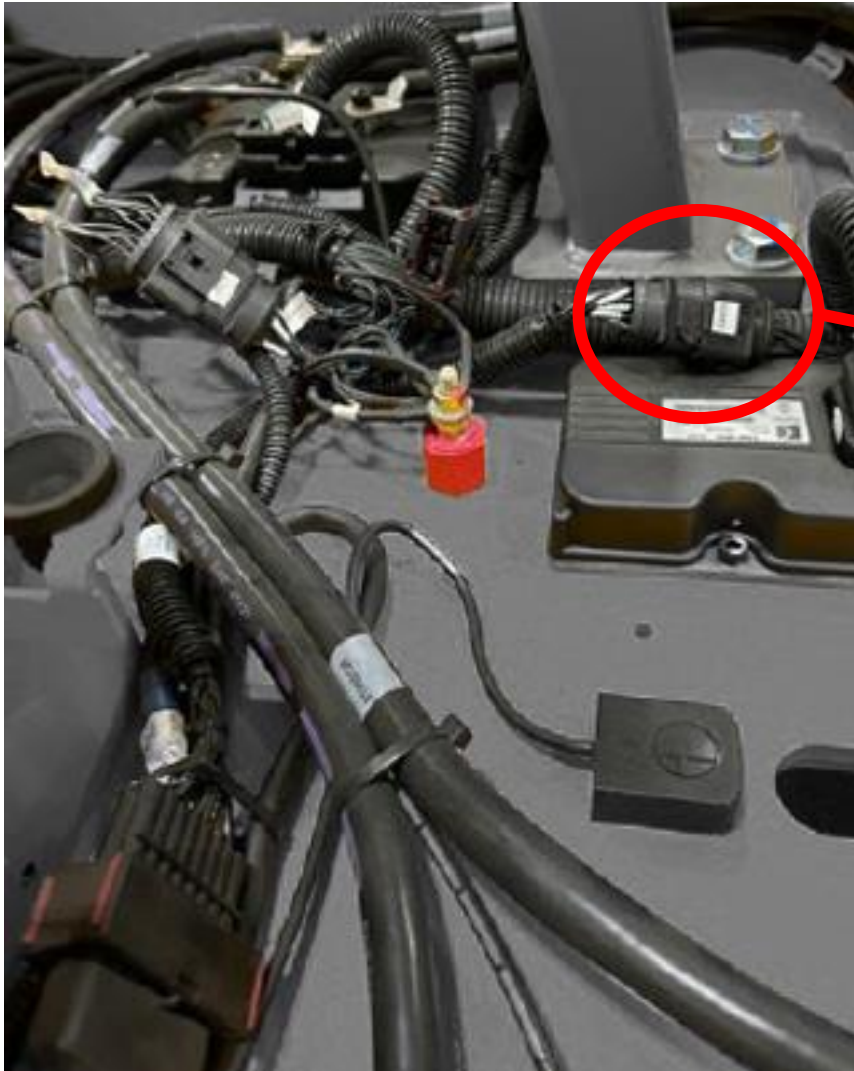
# Lift Link Telematics Installation

Logisnext

**Step 4:** Remove the snap ring and cap screw, remove the tiller, then remove the upper dash cover.



**Step 5:** Locate the XB905 connector on the truck and connect the 51755972 adapter harness.

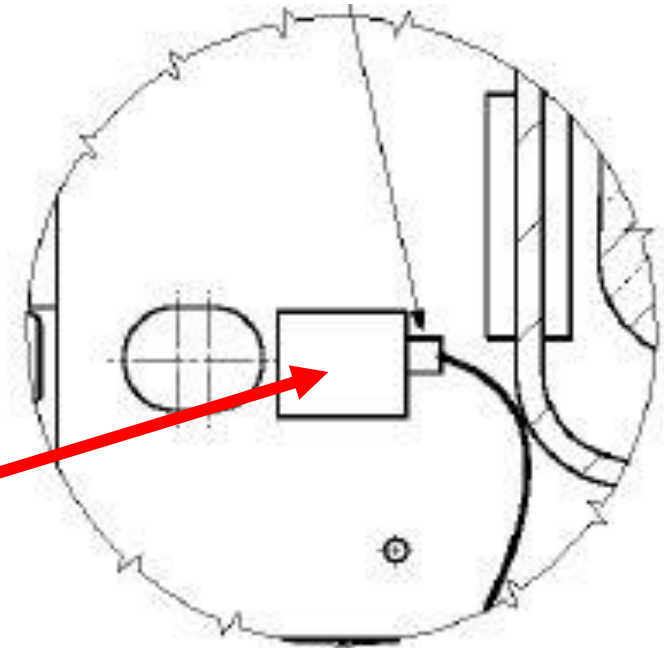




# Lift Link Telematics Installation

Logisnext

**Step 6:** Install the impact sensor to the frame as in the indicated picture/drawing.



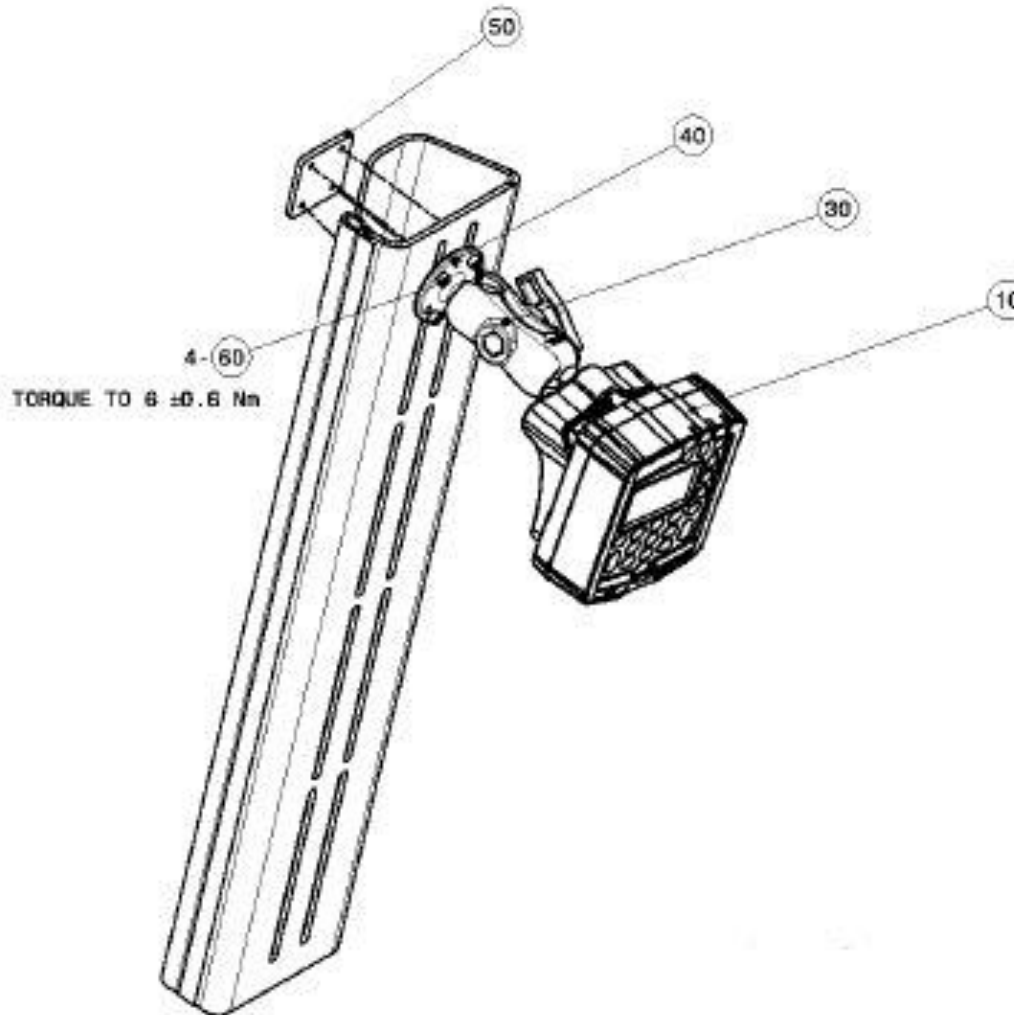
**Step 7:** Remove the OHG option bracket by removing the screws on the back.





# Lift Link Telematics Installation

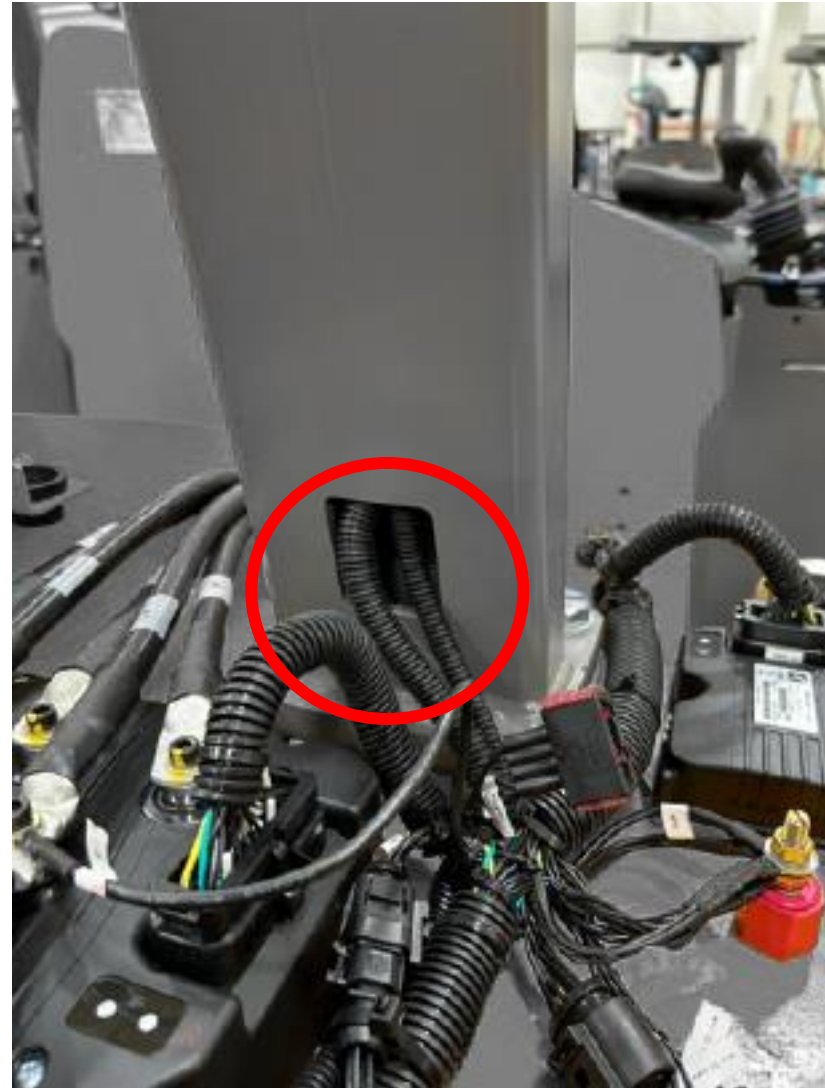
**Step 8:** Install the RAM mount to the OHG option bracket, then re-install the OHG option bracket.



# Lift Link Telematics Installation

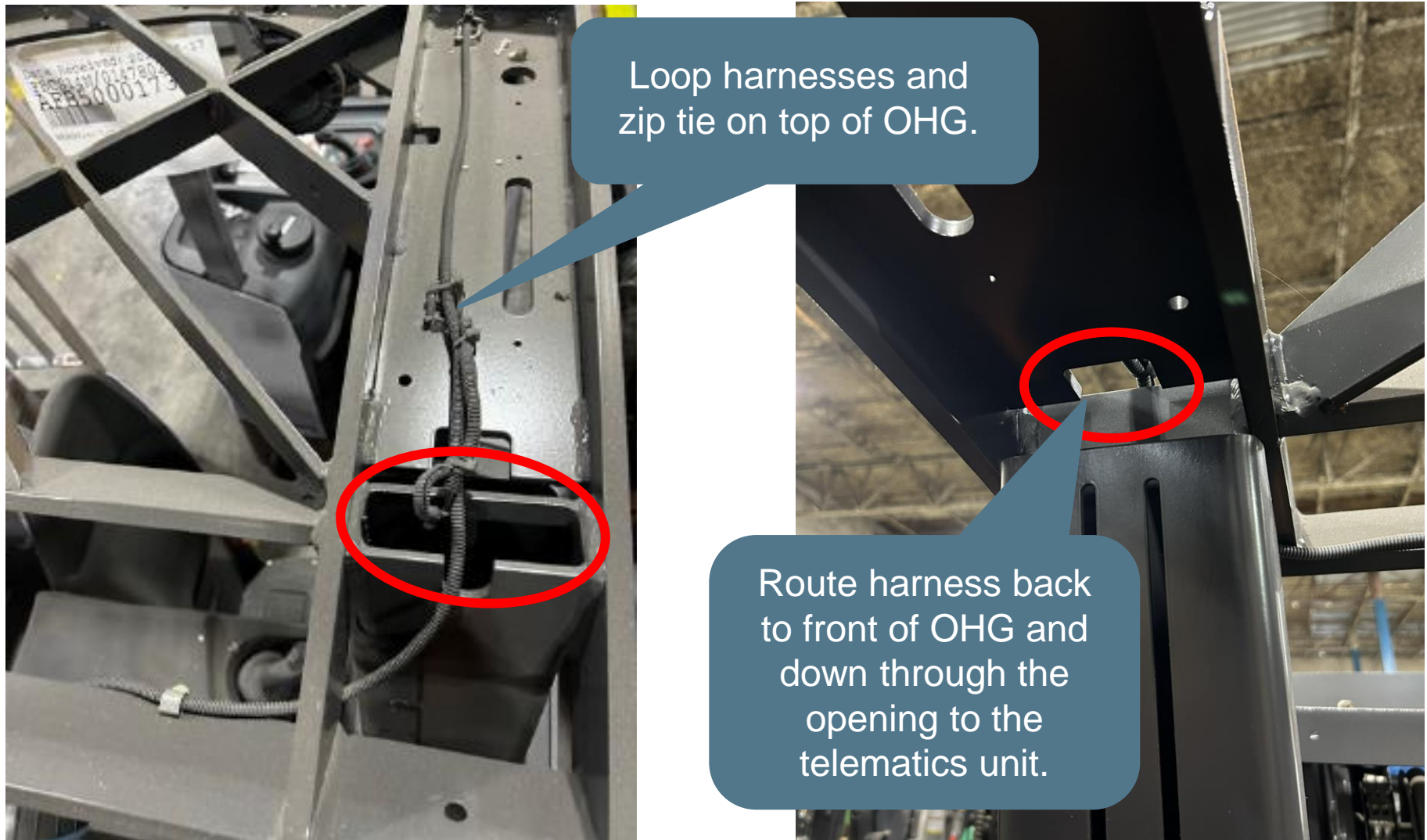
**Step 9:** Connect the telematics harness to the adapter harness, then route through the OHG along with the harness for the impact sensor, securing with zip ties.

Cables going through holes/bulkheads with sharp edges should be protected with something like wire loom. The photos shown are for routing illustration purposes only.



# Lift Link Telematics Installation

**Step 10:** Pull harnesses up through top of OHG leg and make a loop on top of OHG, then back down through the hole in the OHG to prevent having too much of a bend of the harnesses.



**Step 11:** Mount the telematics unit to the previously installed RAM mount.





# Lift Link Telematics Installation

**Step 12:** Connect both harnesses into back of the telematics unit.





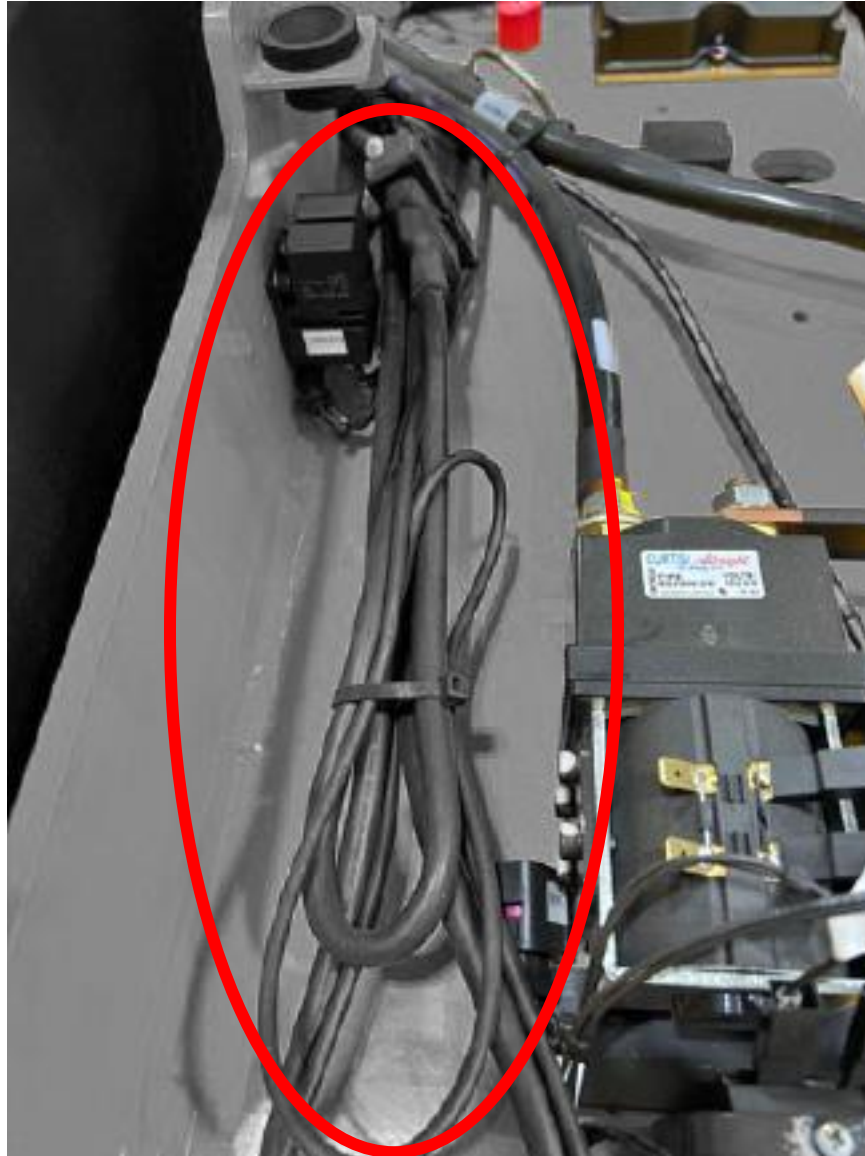
# Lift Link Telematics Installation

**Step 13:** Connect the battery and power on the truck to verify the VAC unit is powered.

Don't worry about any errors that come up, as the setup hasn't been done yet.



**Step 14:** Tie up any excess harness under the front cover as shown and secure with zip ties.



# Lift Link Telematics Installation

Logisnext

**Step 15:** Replace all panels on truck, including steering tiller and plastic insert.



# Lift Link Telematics Installation

## Step 16: Perform the validation steps as shown in the following slides.



Begin by unplugging the access control plug on the harness. The truck should now NOT travel until logged in.



1. Press 2 on the keypad to select "Config" and then press the green ENTER button.

**It is recommended to have the vehicle's drive wheel(s) elevated prior to starting verification unless there is sufficient space to drive *slowly* in forward and reverse for up to 15 seconds at a time.**



2. Use the keypad to enter **7262468** and then press the green ENTER button.



3. Use the keypad to enter **2378** and then press the green ENTER button. (Note: truck able to run once this step is complete).



# Lift Link Telematics Installation



4. Press 6 on the keypad to select “**Hardware**” and then press the green ENTER button.



5. Press 1 on the keypad to select “**States**” and then press the green ENTER button.



6. Press 2 on the key pad and select “**Vims**” & then press the green ENTER button.



7. Repeat step 6



Steps 8 – 13 the R & AV numerical numbers must change when the desired function is activated.

8. Select “**Motion**” then press the Green enter button.



# Lift Link Telematics Installation



9. Press the throttle in the fwd or rev travel direction. Verify that the **R & AV** numerical values change. Perform this step for both fwd & rev throttle. Confirm **R & AV** values change press Red ESC button.



10. Toggle down to "**LIFT**" and press the GREEN enter button.



11. Press the up button and verify that the **R & AV** numerical numbers change. Confirm the R & AV numbers change & then press the Red ESC button.



12. Toggle down to "**SEAT**" and press the GREEN enter button.



13. Depress the seat or step on the operator presence switch & verify the **R & AV** numerical numbers change. Confirm the **R&AV** number change & press the Red ESC button several times to return to the main start screen. You should see a key or wrench symbol.



14. Press the button with a key icon just below the green LED to log off.



15. Plug the access control plug back together and verify the truck now has travel.

Plug must be plugged back in when verification is complete.

16. Verify work is complete and accurate.

## Questions?

If you have any questions regarding this HPK, contact your Service Manager or Technical Communicator prior to submitting a CRM Ticket to Lift Central<sup>®</sup>.

[Open a CRM ticket](#)

© 2024 Mitsubishi Logisnext Americas Inc. All rights reserved, reproduction not permitted without written approval. CAT, CATERPILLAR, LET'S DO THE WORK, their respective logos, "Caterpillar Yellow", the "Power Edge", and Cat "Modern Hex" trade dress as well as corporate and product identity used herein, are trademarks of Caterpillar Inc., and may not be used without permission. All registered trademarks and all logos are the property of their respective owners, including Jungheinrich<sup>®</sup>. UniCarriers<sup>®</sup> is a registered trademark of Mitsubishi Logisnext Co., Ltd. ROCLA trade name, its respective wordmarks, and logos as well as corporate and product identity used herein, are trademarks of Mitsubishi Logisnext Europe Oy. Trademarks of any owner may not be used without permission.